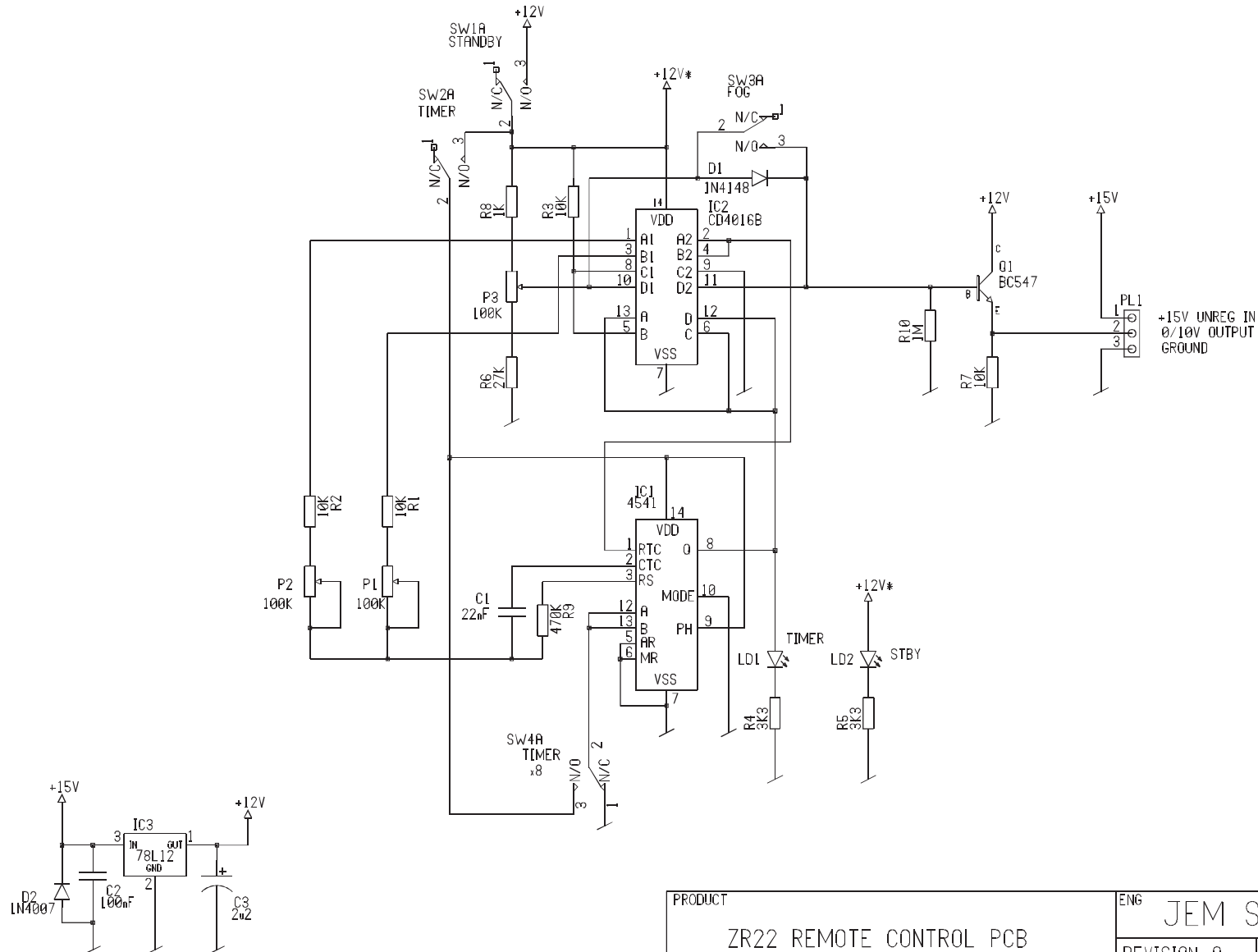
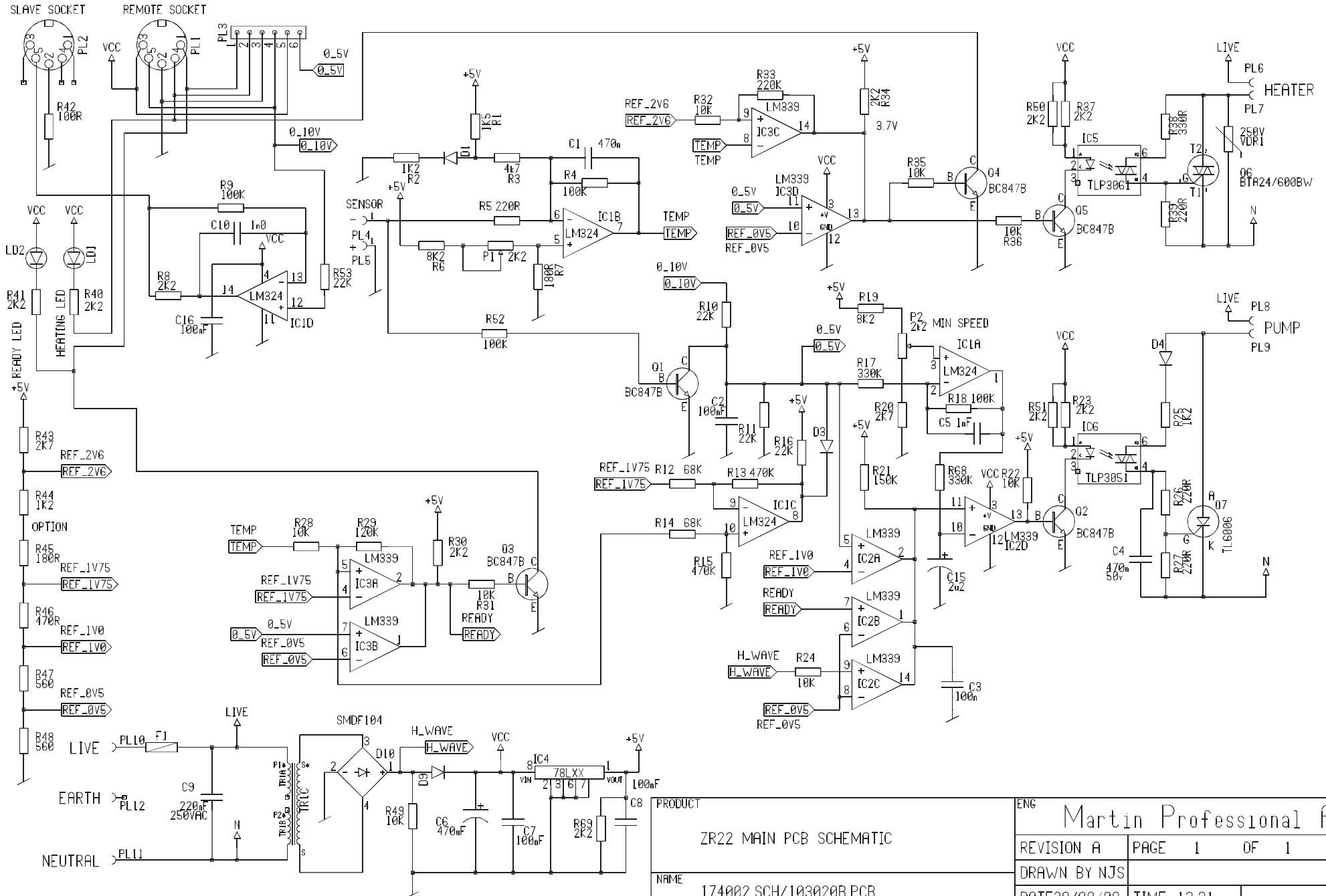


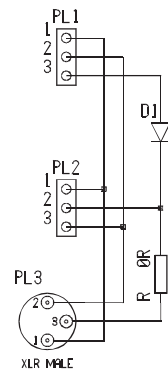
PRODUCT		ENG	
ZR22 DMX DECODER PCB		Martin Professional A/S	
REVISION A	PAGE 1	OF 2	
NAME		DRAWN BY BH	
174004 SCH/101122A PCB		DATE 22/3/99	TIME 15 35



PRODUCT		ENG	
ZR22 REMOTE CONTROL PCB		JEM SMOKE PLC	
REVISION A	PAGE 1	OF 1	
NAME	DRAWN BY NJS		
174005 SCH/37045A PCB	DATE 20/8/98	TIME 10:57	



PRODUCT	ENG Martin Professional A/S		
ZR22 MAIN PCB SCHEMATIC	REVISION A	PAGE 1	OF 1
NAME	DRAWN BY NJS		
174002 SCH/103020B PCB	DATE 28/08/98	TIME 13 31	



PRODUCT		ENG	
ZR22 INTERFACE PCB		JEM SMOKE PLC	
NAME		REVISION A	PAGE 1 OF 1
174003 SCH/37053A PCB		DRAWN BY NJS	
		DATE 5/8/98	TIME 10 57